

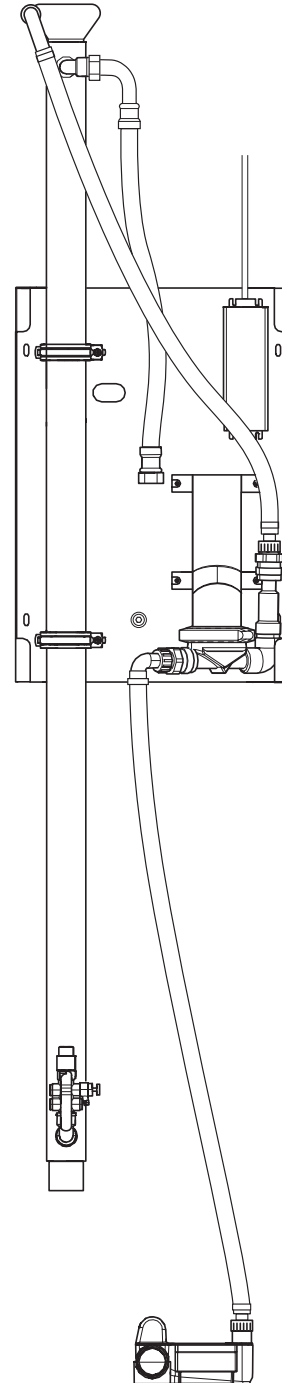


Hamwells®

# Blue

Installation manual  
Blue 12, 16, 21 & HE

2024 V5.3





## Copyright

This document is protected by copyright and any reproduction of this document is strictly prohibited except with the written permission of Hamwells Nederland B.V. The contents of this document are subject to change without notice. The pictured product is for illustration purposes and may differ in color or model from the delivered product. Information in this manual is subject to technical changes, text or printing errors.



© 2024 Hamwells Nederland B.V.

Pelgrimsstraat 3, 3029 BH Rotterdam, the Netherlands

T +31 (0)85 - 303 64 96, E info@hamwells.com, I www.hamwells.com

## Contents

Safety	3
Warranty	3
Dimensions	4

### Installation Blue

Installation instructions	5
Parts Blue	5
1. Mount the installation frame against the wall	6
2. Connect the cold water supply	6
3. Open the EA valve	6
4. Connect the WWHR	6
5. Connect the drain set to the WWHR pipe(s)	7
6. Connect the drain set to the sewage system	7
7. Place the sensor unit level under the frame and mount a siphon (40 mm) on it	7
8. Connect the supplied bend (32 mm) to the back of the sensor unit and connect it to the drain	7
9. Connect the PVC hose to the sensor unit	8
10. Perform the drain test	8
11. Connect the wiring harness to the sensor unit	8
12. Check if the Blue is working properly	8
13. Maintenance	8



## Safety

This installation manual refers to the Hamwells Blue 12, 16, 21 and HE. We strongly recommend that you read this manual carefully before installation. This manual has been prepared for technically qualified personnel in possession of the correct tools and all possible protective equipment. *Note! The installation of the Blue must be carried out in accordance with locally applicable standards.*

The Blue has been designed with the utmost care. Constructional changes or the use of non-original parts can lead to a safety risk or malfunction of the Blue. If warnings and safety instructions are not followed, there is a risk of danger to people, water damage or damage to the Blue.

### Symbols

The following marking conventions are used throughout this installation guide to draw attention to certain topics or actions.

 Warning sign

 Mandatory sign

## Warranty

The Blue has a standard 5 year warranty on all components\* and is extendable up to 8 years. This warranty is void if the product is damaged due to incorrect installation, misuse, improper maintenance, structural changes, or the use of non-original parts.

\* When installed for domestic use. Exceptions are mechanical damage to shower heads and glass panel.

### **Hamwells Nederland B.V. is not liable for unsafe situations, accidents and damage, which are the result of among other things:**

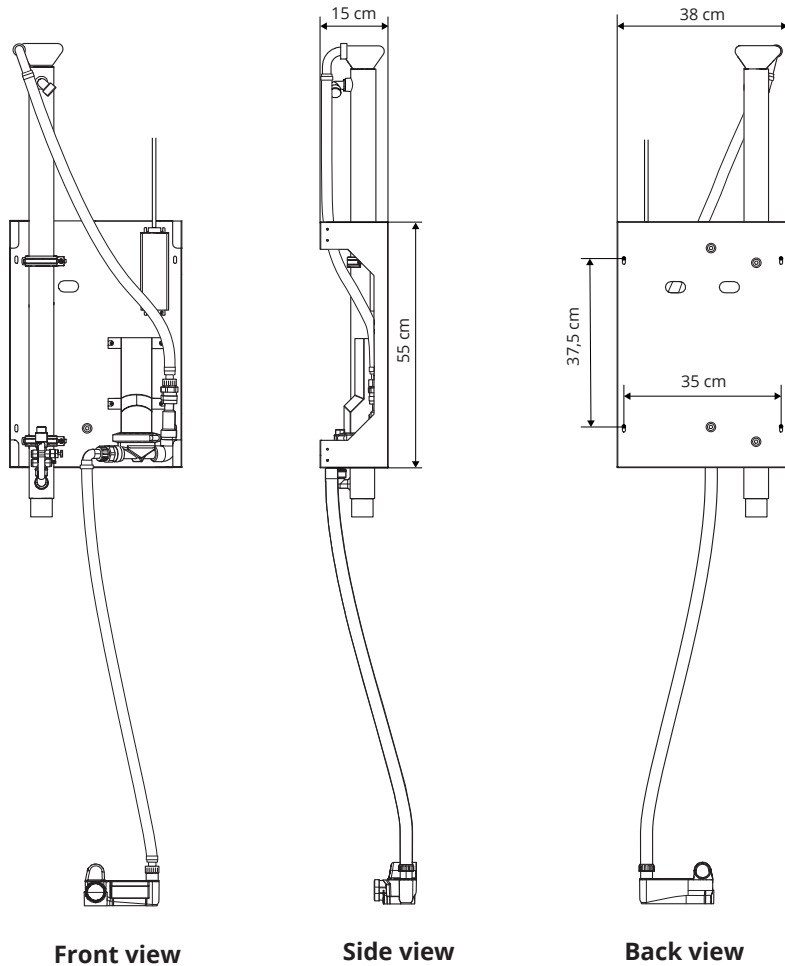
- Incorrect installation and/or maintenance of the Blue.
- Failure to follow warnings or regulations as shown on the Blue or in the installation manual.
- Use of the device or parts for purposes other than described in this manual.
- Incorrect assembly or alterations by the customer or third parties. This also includes the use of non-original replacement parts.
- Incompetence of the mechanic, improper use of the parts.



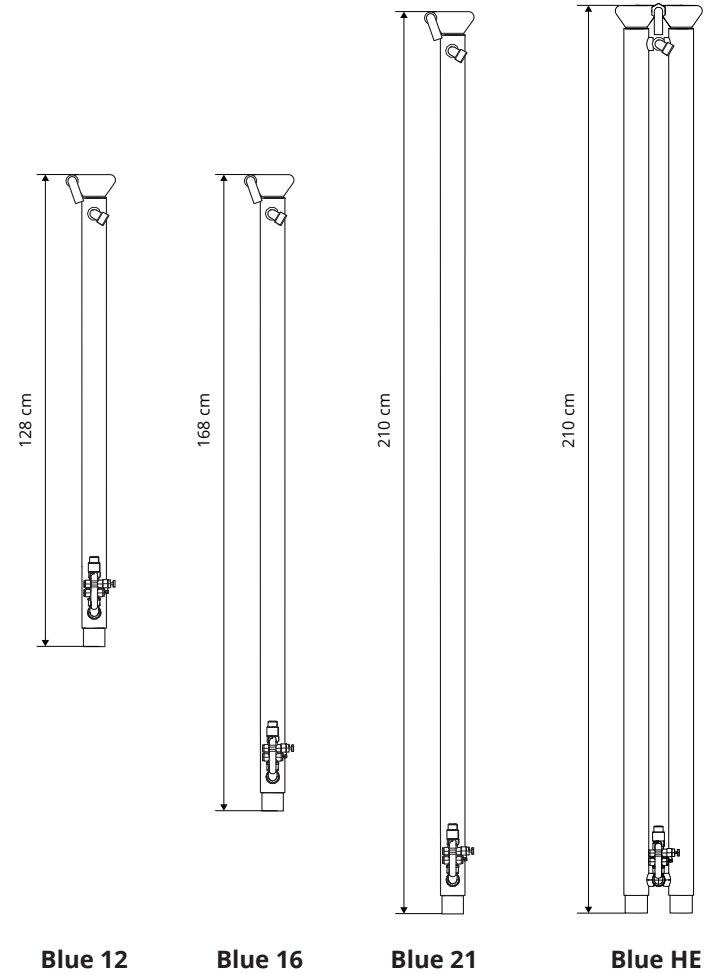
### Dimensions Blue \*

Power supply (mains): 100-240 VAC      Max. power consumption: 42W

\* WWHR pipe length varies per Blue model.



### Dimensions WWHR pipes





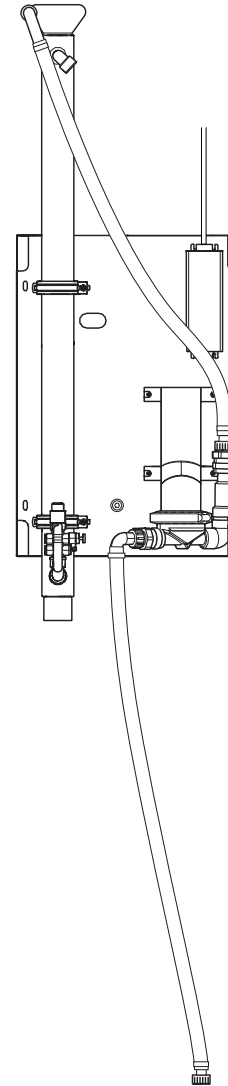
# Installation Blue

## Installation instructions

This chapter explains how to install the Blue. Installation steps specific to the Blue HE are indicated additionally. Tools such as drills, screwdrivers and wrenches are not included.

## Parts checklist

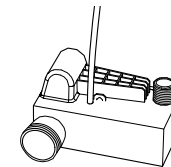
The components of the Blue are supplied complete. These must be installed per component at the relevant location. Check whether the product is complete and free of damage. In case of damaged or missing parts, please contact your supplier.



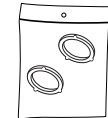
## Parts Blue

### 1x Blue pre-assembled:

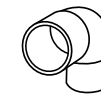
- Frame
- WWHR pipe (12, 16, 21, HE)
- Pump
- Power supply with cable without plug
- Hose heat recovery pipe to pump
- Hose sensor unit to pump



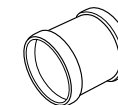
1x sensor unit



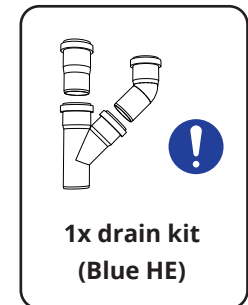
1x bag with rings



1x 32mm bend



1x slip sleeve  
(Blue 12, 16, 21)



1x drain kit  
(Blue HE)

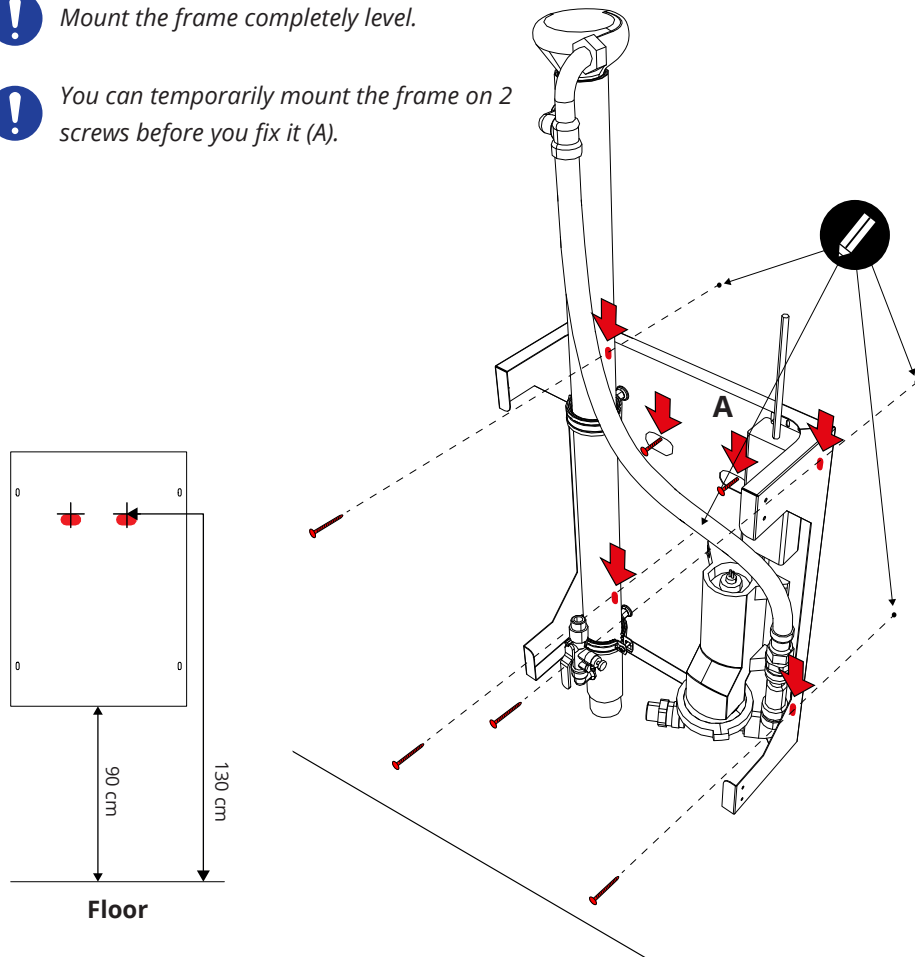


## 1. Mount the installation frame against the wall

Level the installation frame and mark the holes. Then drill the 4 holes and mount the frame with screws.

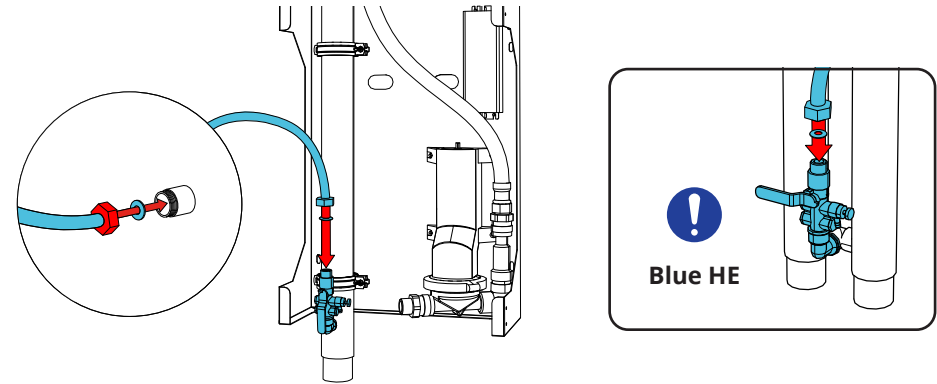
! Mount the frame completely level.

! You can temporarily mount the frame on 2 screws before you fix it (A).



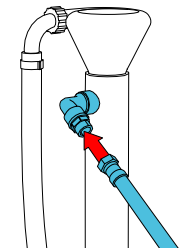
## 2. Connect the cold water supply

Connect your cold water to the valve (1/2") on the WWHR pipe.



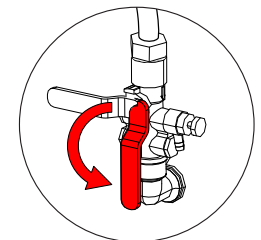
## 3. Connect the WWHR

Connect the WWHR in accordance with the desired system configuration. See Blue specifications/ connection systems. You can download it [here](#).



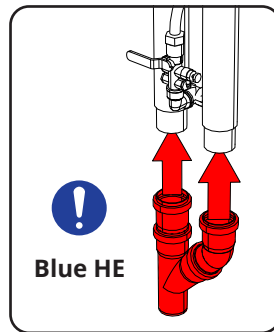
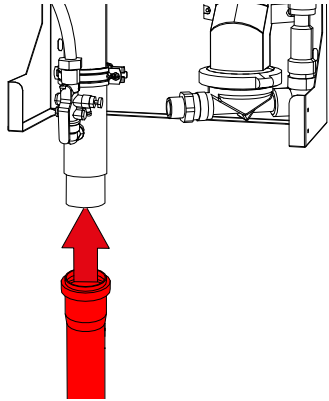
## 4. Open the EA valve

! Lever in extension of the valve.



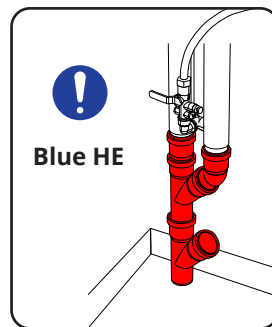
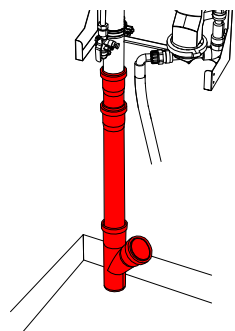


### 5. Connect the drain set to the WWHR pipe(s)



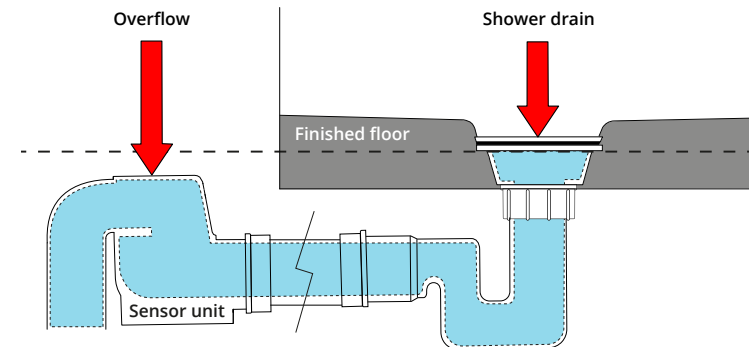
### 6. Connect the drain set to the sewage system

**!** Use the appropriate plumbing pipes to connect the drain.  
The WWHR has drain pipes with a diameter of 50mm.



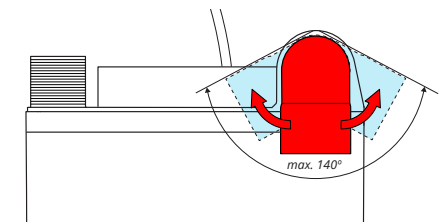
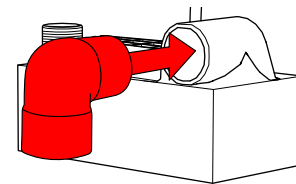
### 7. Place the sensor unit level under the frame and mount a siphon (40 mm) on it

**!** We do not recommend pouring concrete around the sensor unit.  
Make sure the overflow is lower than the shower drain.



### 8. Connect the supplied bend (32 mm) to the back of the sensor unit and connect it to the drain

**!** Use PVC adhesive after you have connected the bend to the drain.

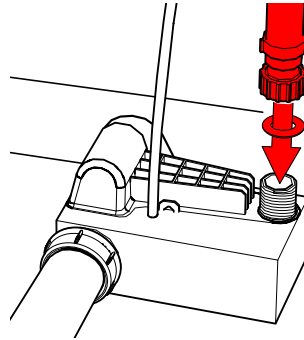




### 9. Connect the PVC hose to the sensor unit



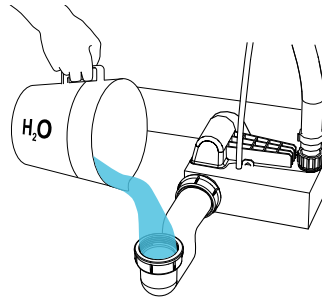
*Make sure that the water hose has a gasket.*



### 10. Perform the drain test



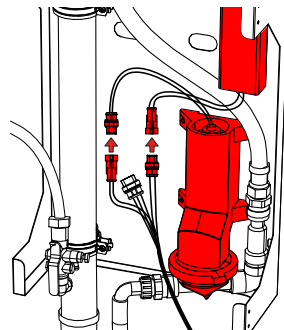
*By pouring water into the siphon, you test whether all drain parts are watertight.*



### 11. Connect the wiring harness to the sensor unit



*Only connect the main power after everything else is connected!*



### 12. Check if the Blue is working properly

Fill the siphon and drain completely (approx. 2 liters of water).

When you turn on the Blue for the first time or when the power is reconnected or switched on, you will hear the sound of the pump pumping out the water. This takes about 15 to 30 seconds. The pump unit is being calibrated. You can also watch the calibration video [here](#).

### 13. Maintenance

To keep the Blue in perfect condition, it is recommended to clean the shower on a regular basis. This chapter describes the cleaning and maintenance intervals. The table below is an overview of maintenance.



*We recommend that you never use aggressive cleaning agents such as thinner or acetone.*

Action	How often
Drain	Weekly
Check EA valve	Every year
Replacement EB valve	Every 10 years