

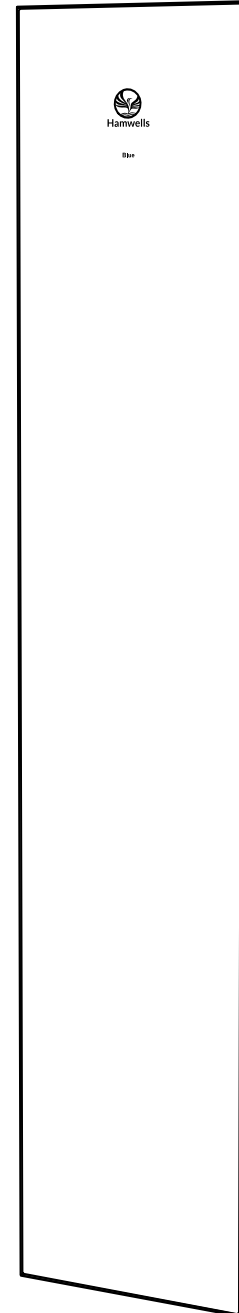


Hamwells®

Blue

Installation Manual Glass panel
Blue 12, 16, 21 & HE

2024 V5.3





Copyright

This document is protected by copyright and any reproduction of all or part of this document is strictly prohibited except with the written permission of Hamwells Nederland B.V. The contents of this document are subject to change without notice. The illustrations in this manual may differ from the products supplied. Information in this manual is subject to technical changes, text or printing errors.



© 2024 Hamwells Nederland B.V.

Pelgrimsstraat 3, 3029 BH Rotterdam, the Netherlands

T +31 (0)85 - 303 64 96, E info@hamwells.com, I www.hamwells.com

Contents

Safety	3
Symbols	3
Warranty	3
Installation glass panel	4
Installation instructions	4
Parts checklist	4
1. Mount the frame of the secondary wall	5
2. Mount wall plates and connect the water lines from the hand and main shower head	5
3. Connect the wall plates and the shower tap with stainless steel hoses	5
4. Mark holes in the watertight wall in front of the frame and cut them out	6
5. Place the waterproof wall	6
6. Finish the wall	6
7. Place the frame on the finished wall and seal the outer edge between the wall and the frame with hybrid sealant	7
8. Open the EA valve	7
9. Install the glass panel	7



Safety

This installation manual refers to the glass panel used in combination with the Hamwells Blue 12, 16, 21 and HE. We strongly recommend that you read this manual carefully before installation. This manual has been prepared for technically qualified personnel in possession of the correct tools and all possible protective equipment.

Note! The installation of the glass panel must be carried out in accordance with locally applicable standards.

This product has been designed with the utmost care. Constructional changes or the use of non-original parts can lead to a safety risk or malfunction of the glass panel. If warnings and safety instructions are not followed, there is a risk of danger to people, water damage or damage to the glass panel.

Symbols

The following marking conventions are used throughout this installation guide to draw attention to certain topics or actions.



Warning sign



Mandatory sign

Warranty

The glass panel has a standard 5 year warranty on all components* and is extendable up to 8 years. This warranty is void if the product is damaged due to incorrect installation, misuse, improper maintenance, structural changes, or the use of non-original parts.

* When installed for domestic use. Exceptions are mechanical damage to shower heads and glass panel.

Hamwells Nederland B.V. is not liable for unsafe situations, accidents and damage, which are the result of among other things:

- Incorrect installation and/or maintenance of the glass panel.
- Failure to follow warnings or regulations as shown on the glass panel or in the installation manual.
- Use of the device or parts for purposes other than described in this manual.
- Incorrect assembly or alterations by the customer or third parties. This also includes the use of non-original replacement parts.
- Incompetence of the mechanic, improper use of the parts.



Installation glass panel

Installation instructions

This chapter explains how to install the glass panel. Tools such as drills, screwdrivers, mounting kit and wrenches are not included.

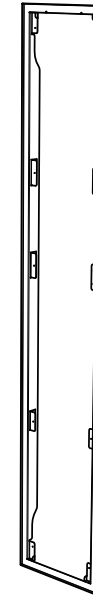
Parts checklist

The components of the glass panel are supplied complete. These must be installed per component at the relevant location. Check whether the product is complete and free of damage. In case of damaged or missing parts, please contact your supplier.

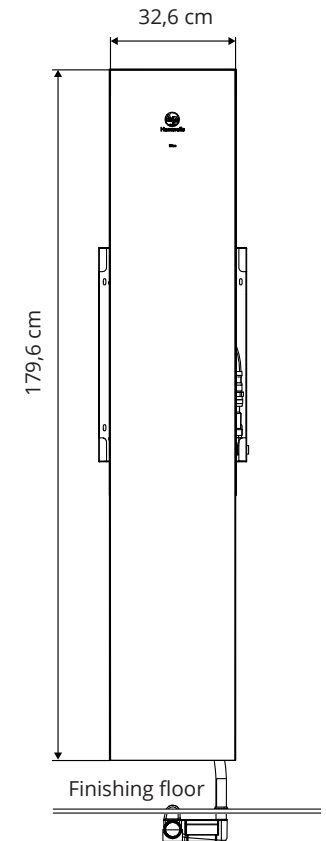
Parts glass panel



1x glass panel



1x frame



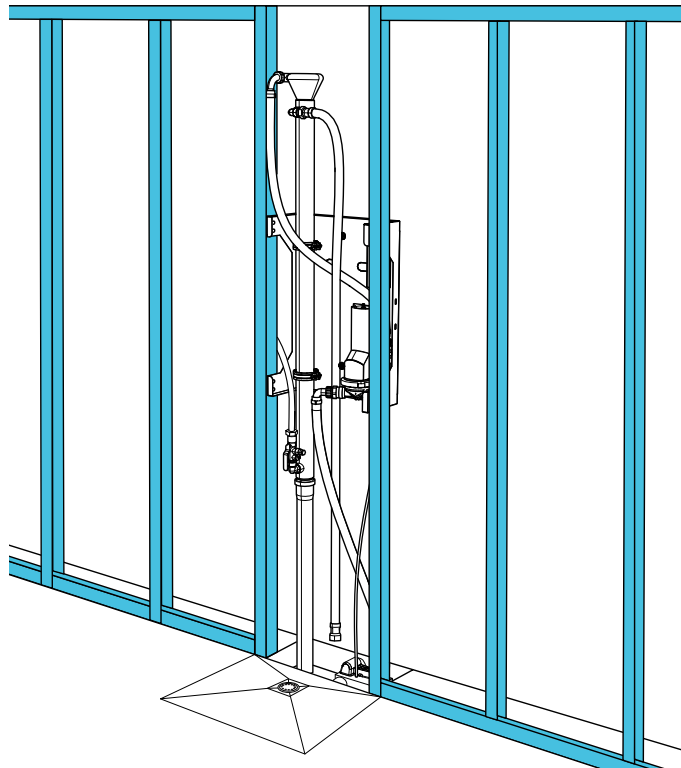
dimensions glass panel
(incl. frame)



1. Mount the frame of the secondary wall



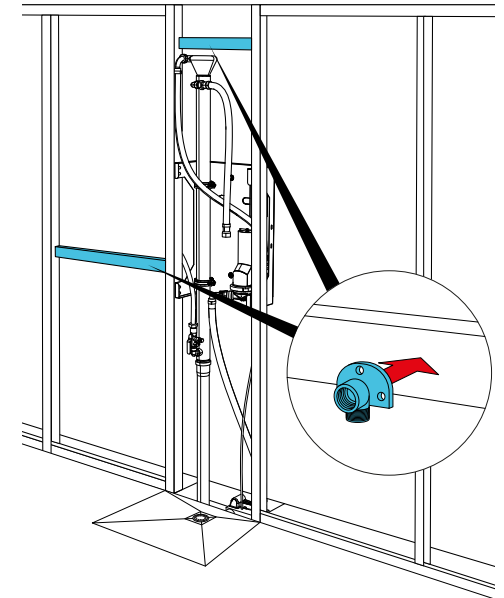
There are various options such as metal stud or wooden framework. This varies by location. Frame and front wall are not included.



2. Mount wall plates and connect the water lines from the hand and main shower head



The wall plates are not included.



3. Connect the wall plates and the shower tap with stainless steel hoses



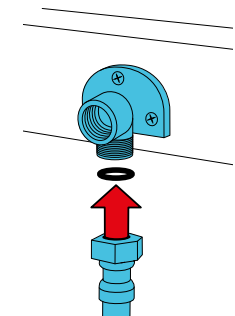
Stainless steel hoses and shower set are not included.



To switch between overhead and hand shower, you need a thermostat knob and several shut-off valves.



Check that the hoses have a rubber gasket.

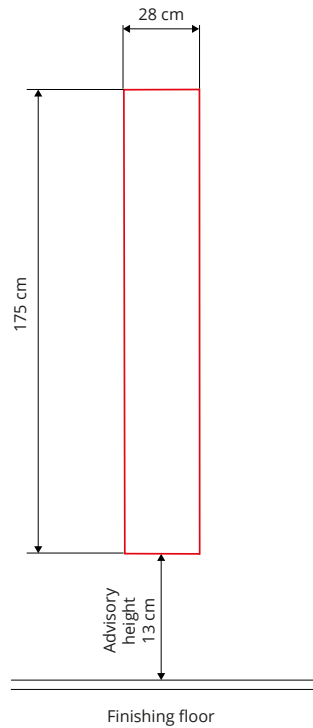




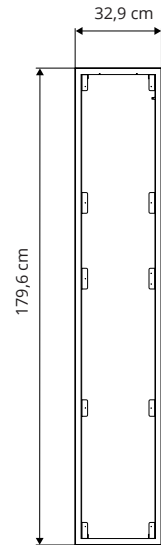
4. Mark holes in the watertight wall in front of the frame and cut them out



The waterproof wall is not included. With the shower set option, you must also mark and cut/drill the holes for the connections. Hand shower and overhead shower can be placed at the desired height.

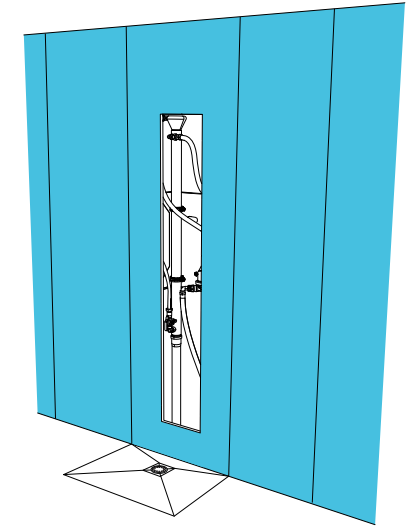


**Dimensions
recess wall**

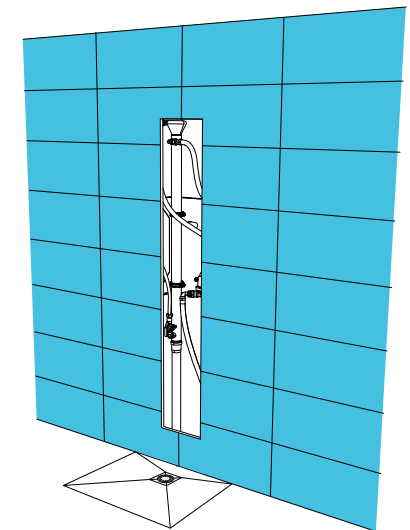


**Dimensions
frame**

5. Place the waterproof wall



6. Finish the wall

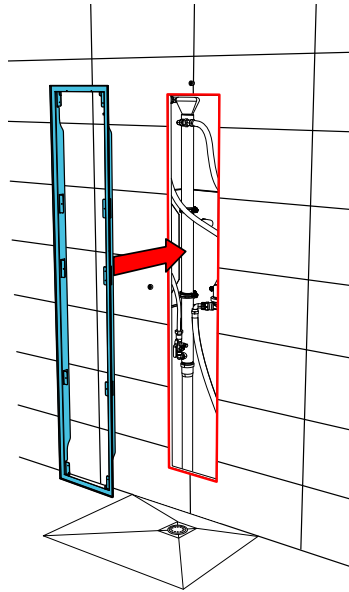




7. Place the frame on the finished wall and seal the outer edge between the wall and the frame with hybrid sealant



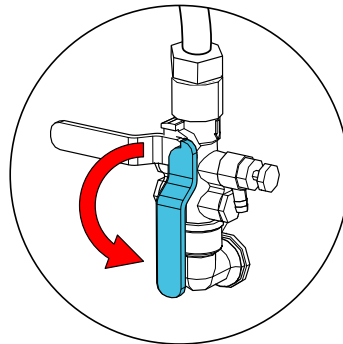
The frame has 2 cm mounting space all around.



8. Open the EA valve



Handle in line with the valve.



9. Install the glass panel



The glass panel is secured with magnets. Use glass suction cups to place the glass panel.

