



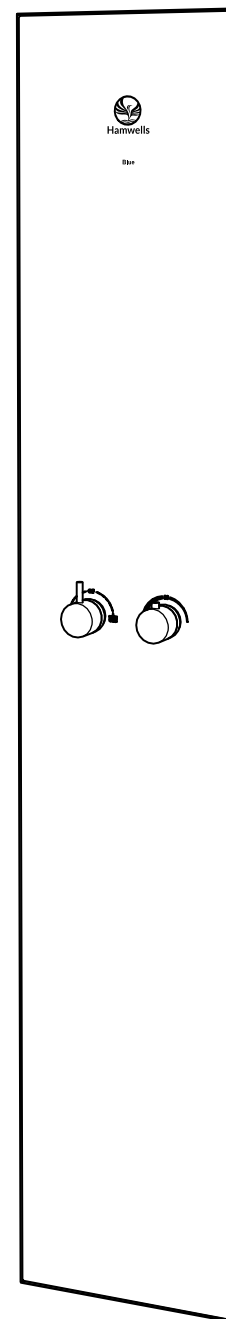
Hamwells®

# Blue

---

**Installation manual**  
**Glass panel with thermostatic mixing valve**  
**Blue 12, 16, 21 & HE**

2024 V5.3





## Copyright

This document is protected by copyright and any reproduction of all or part of this document is strictly prohibited except with the written permission of Hamwells Nederland B.V. The contents of this document are subject to change without notice. The illustrations in this manual may differ from the products supplied. Information in this manual is subject to technical changes, text or printing errors.



© 2024 Hamwells Nederland B.V.

Pelgrimsstraat 3, 3029 BH Rotterdam, the Netherlands

T +31 (0)85 - 303 64 96, E info@hamwells.com, I www.hamwells.com

## Contents

Safety	3
Symbols	3
Warranty	3
<b>Installation glass panel with thermostat</b>	<b>4</b>
Installation instructions	4
Parts checklist	4
1. Mount the frame of the secondary wall	5
2. Mount wall plates and connect the water lines from the hand and main shower head	6
3. Mark holes in the watertight wall in front of the frame and cut them out	6
4. Place the waterproof wall	7
5. Finish the wall	7
6. Place the frame on the finished wall and seal the outer edge between the wall and the frame with hybrid sealant	7
7. Install the thermostatic mixing valve with the 3 screws	7
8. Connect the water lines to the thermostatic mixing valve	8
9. Open the EA valve	8
10. Install the glass panel	8
11. Install the control knobs	8



## Safety

This installation manual refers to the glass panel with thermostatic mixing valve used in combination with the Hamwells Blue 12, 16, 21 and HE. We strongly recommend that you read this manual carefully before installation. This manual has been prepared for technically qualified personnel in possession of the correct tools and all possible protective equipment.

*Note! The installation of the glass panel with thermostatic mixing valve must be carried out in accordance with locally applicable standards.*

This product has been designed with the utmost care. Constructional changes or the use of non-original parts can lead to a safety risk or malfunction of the glass panel with thermostatic mixing valve. If warnings and safety instructions are not followed, there is a risk of danger to people, water damage or damage to the product.

### Symbols

The following marking conventions are used throughout this installation guide to draw attention to certain topics or actions.



*Warning sign*



*Mandatory sign*

## Warranty

The glass panel with thermostatic mixing valve has a standard 5 year warranty on all components\* and is extendable up to 8 years. This warranty is void if the product is damaged due to incorrect installation, misuse, improper maintenance, structural changes, or the use of non-original parts.

\* When installed for domestic use. Exceptions are mechanical damage to shower heads and glass panel.

### **Hamwells Nederland B.V. is not liable for unsafe situations, accidents and damage, which are the result of among other things:**

- Incorrect installation and/or maintenance of the glass panel with thermostatic tape.
- Failure to follow warnings or regulations as shown on the glass panel with thermostatic mixing valve or in the installation manual.
- Use of the device or parts for purposes other than described in this manual.
- Incorrect assembly or alterations by the customer or third parties. This also includes the use of non-original replacement parts.
- Incompetence of the mechanic, improper use of the parts.



# Installation glass panel with thermostat

## Installation instructions

This chapter explains how to install the glass panel with thermostatic mixing valve. Tools such as drills, screwdrivers, mounting kit and wrenches are not included.

## Parts checklist

The components of the glass panel with thermostat are supplied complete.

These must be installed per component at the relevant location.

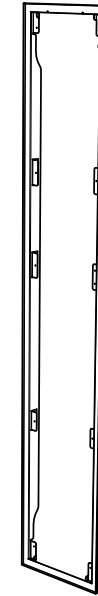
Check whether the product is complete and free of damage.

In case of damaged or missing parts, please contact your supplier.

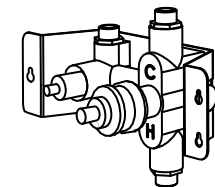
## Parts glass panel and thermostatic mixing valve



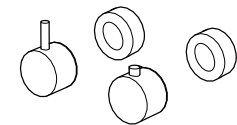
**1x glass panel**  
*(with thermostat)*



**1x frame**



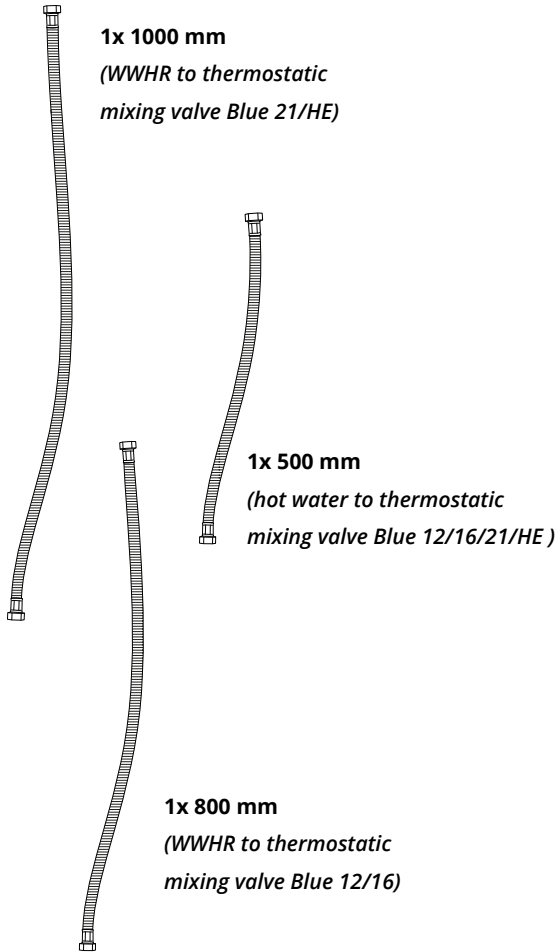
**1x thermostatic mixing valve**



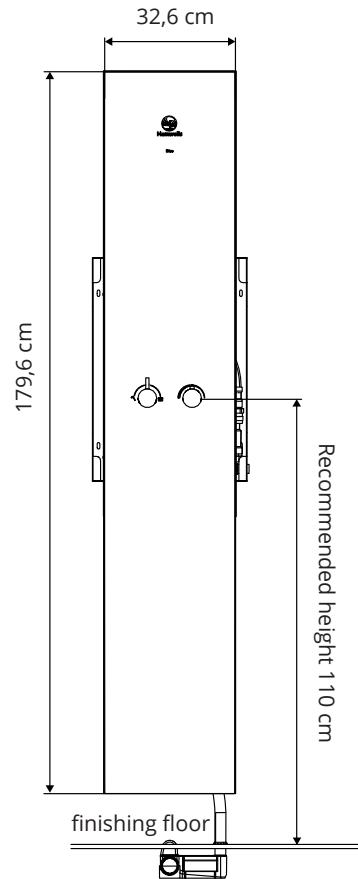
**1x set of control buttons**



## Metal hoses



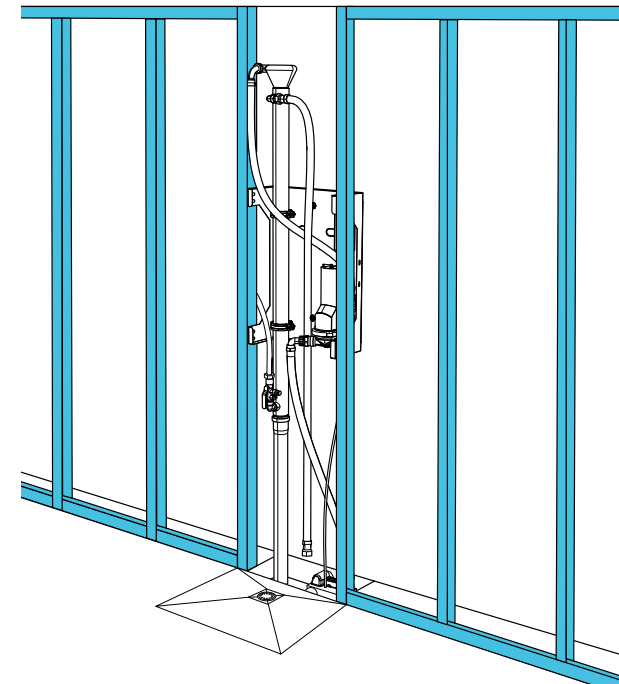
## Dimensions glass panel (incl. frame)



## 1. Mount the frame of the secondary wall



There are various options such as metal stud or wooden framework. This varies by location. Frame and front wall are not included.





## 2. Mount wall plates and connect the water hoses from the hand and main shower head



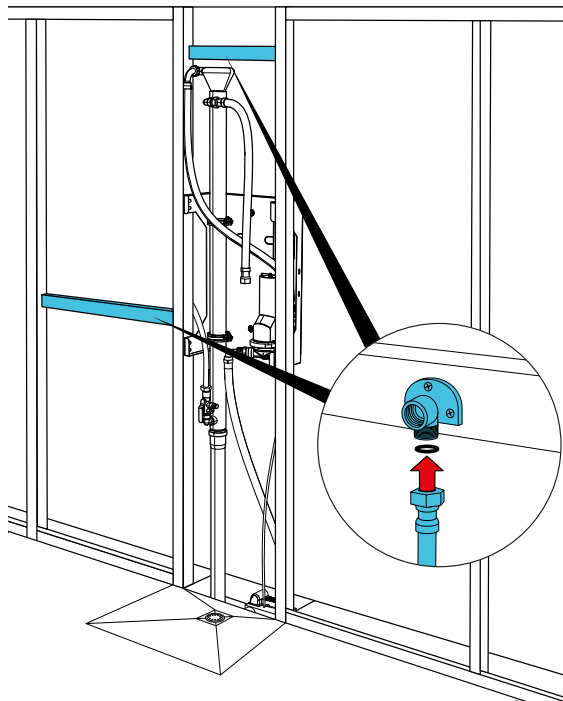
The wall plates are not included.



The water hose of the hand shower can be connected to the desired height on both the left and right. This is later connected to the supplied thermostatic mixing valve.



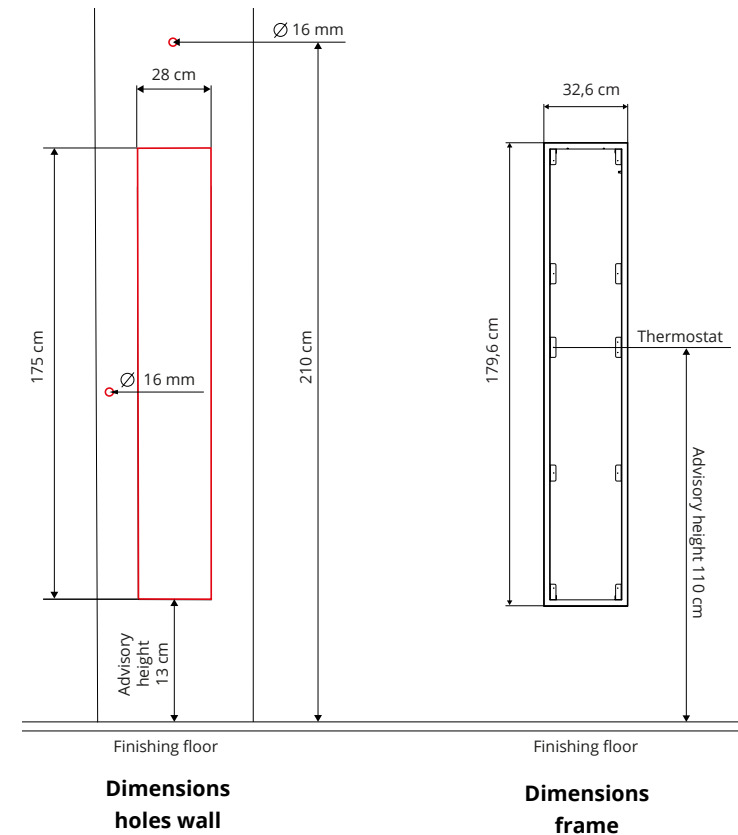
Make sure that the water hoses have a rubber gasket.



## 3. Mark holes in the watertight wall in front of the frame and cut them out

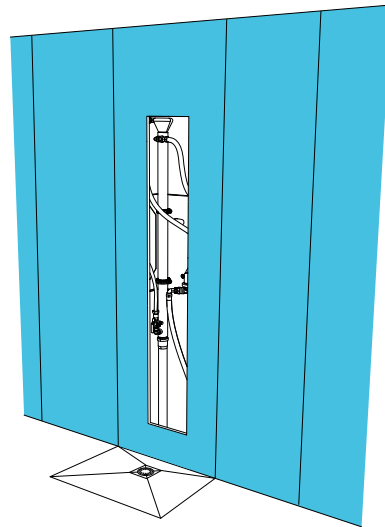


The waterproof wall is not included. With the shower set option, you must also mark and cut/drill the holes for the connections. Hand shower and overhead shower can be placed at the desired height.

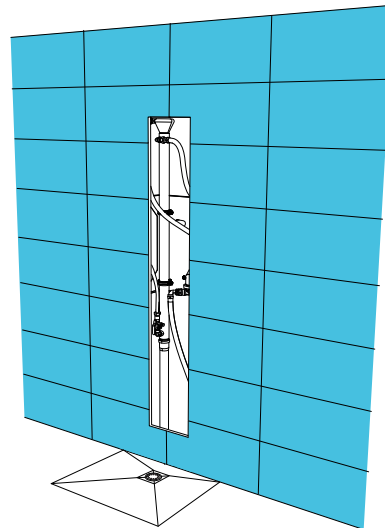




#### 4. Place the waterproof wall



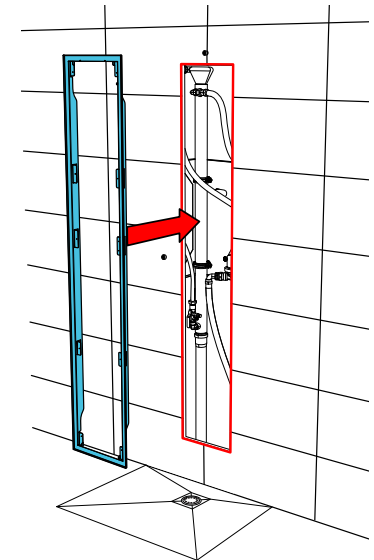
#### 5. Finish the wall



#### 6. Place the frame on the finished wall and seal the outer edge between the wall and the frame with hybrid sealant



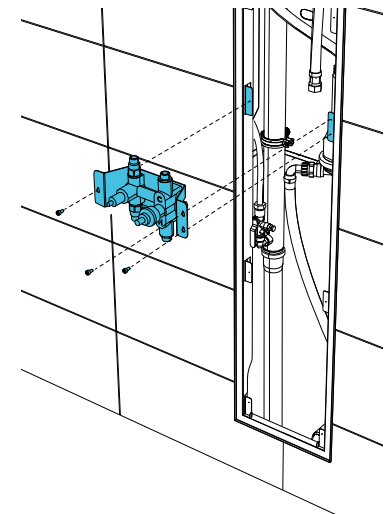
*The frame has 2 cm mounting space all around.*



#### 7. Install the thermostatic mixing valve with the 3 screws



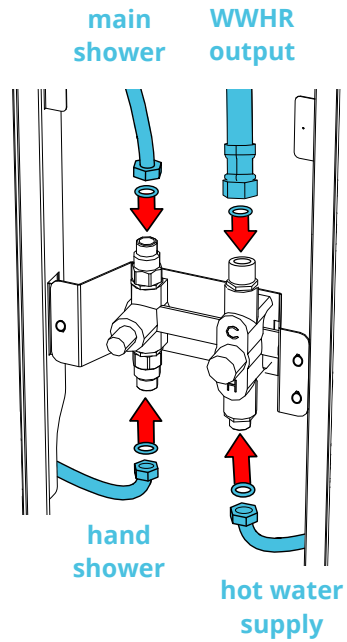
*The temperature stop must be calibrated at 38 °C. See the manual supplied with the thermostat.*





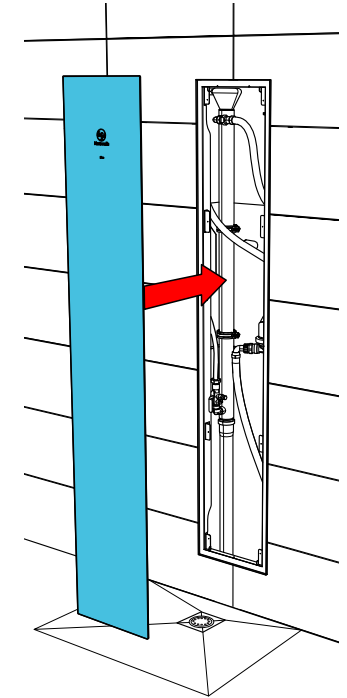
### 8. Connect the water hoses

**!** Make sure that the water line has a gasket.



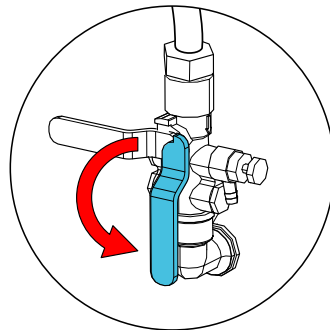
### 10. Install the glass panel

**!** The glass panel is secured with magnets.  
Use glass suction cups to place the glass panel.



### 9. Open the EA valve

**!** Handle in line with the valve



### 11. Install the control knobs

**!** Slide the knobs well back and secure them with an Allen key.

